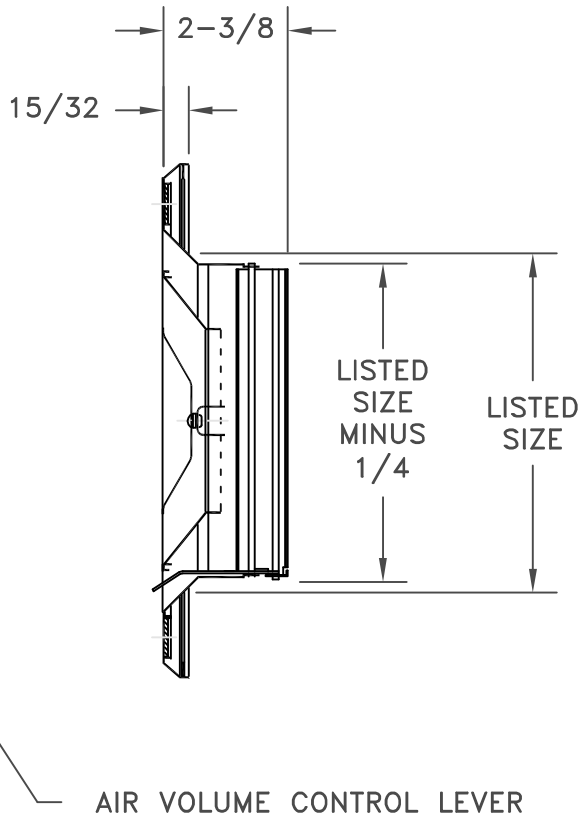
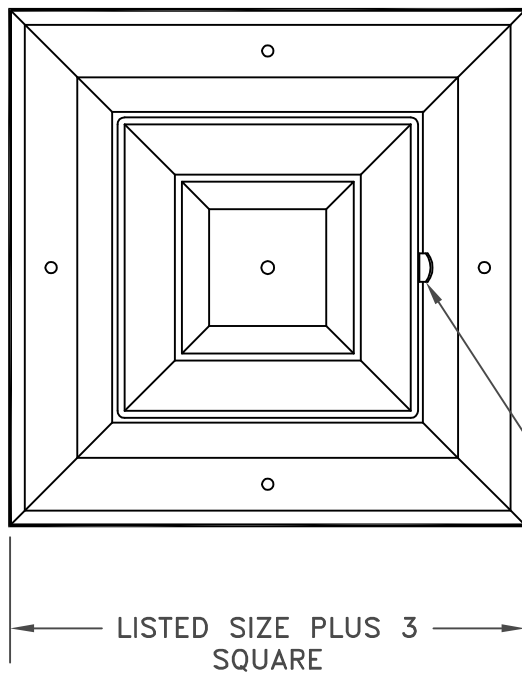


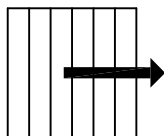
- INTEGRAL MULTI-SHUTTER DAMPER
- AVAILABLE IN SIZES 6 X 6 THROUGH 14 X 14 IN 2 INCH INCREMENTS
- A STEEL PANEL FOR ALL SIZES AND PATTERNS FITS 24 X 24 INCH T-BAR CEILINGS SEE SD-2302
- FINISH: WHITE (W) ENAMEL

4 WAY CORE SHOWN

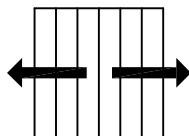


FLOW PATTERNS

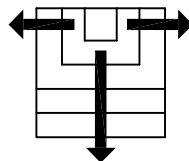
1 WAY
A501-MS



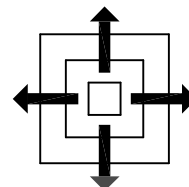
2 WAY
A502-MS



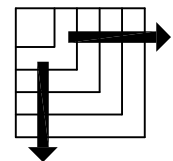
3 WAY
A503-MS



4 WAY
A504-MS



2 WAY
CORNER
A505-MS



JOB NAME: _____
 LOCATION: _____
 ARCHITECT: _____
 ENGINEER: _____
 CONTRACTOR: _____

SUBMITTED BY: _____

DATE: 08/26/2013 | SD-2300

A500MS
 Aluminum Square Diffuser
 With Multi-Shutter Damper