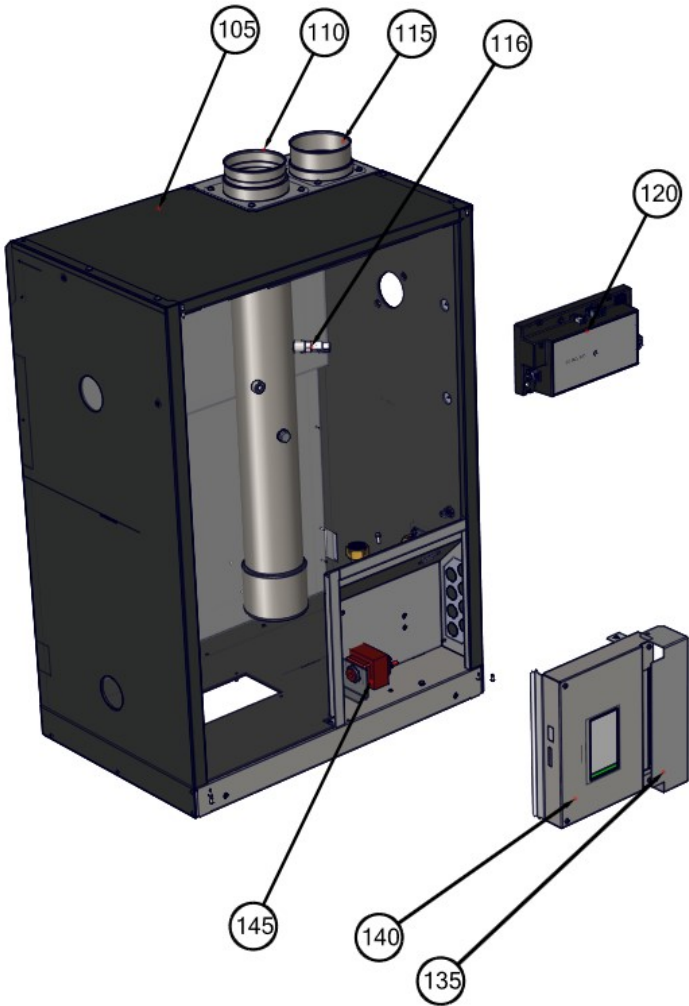


SL 30-199 G3 Modulating Boiler - Parts assembly



BOM ID	IBC-No.	Description	Qty
105	250-840	TOP ACCESS COVER	1
110	250-842	EXHAUST DUCT	1
115	250-856	3IN INTAKE DUCT	1
116	240-132	HI LIMIT TEMPERATURE SENSOR	1
120	500-078	SAFETY IGNITION MODULE +	1
135	250-825	TERMINAL BLOCK COVER	1
140	500-103	V10 CONTROLLER	1
145	240-008	TRANSFORMER	1
150	500-098	FRONT COVER	1
155	250-275	THUMB SCREW	2

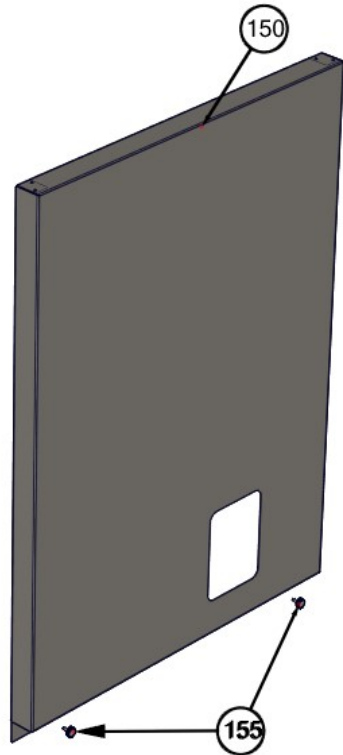
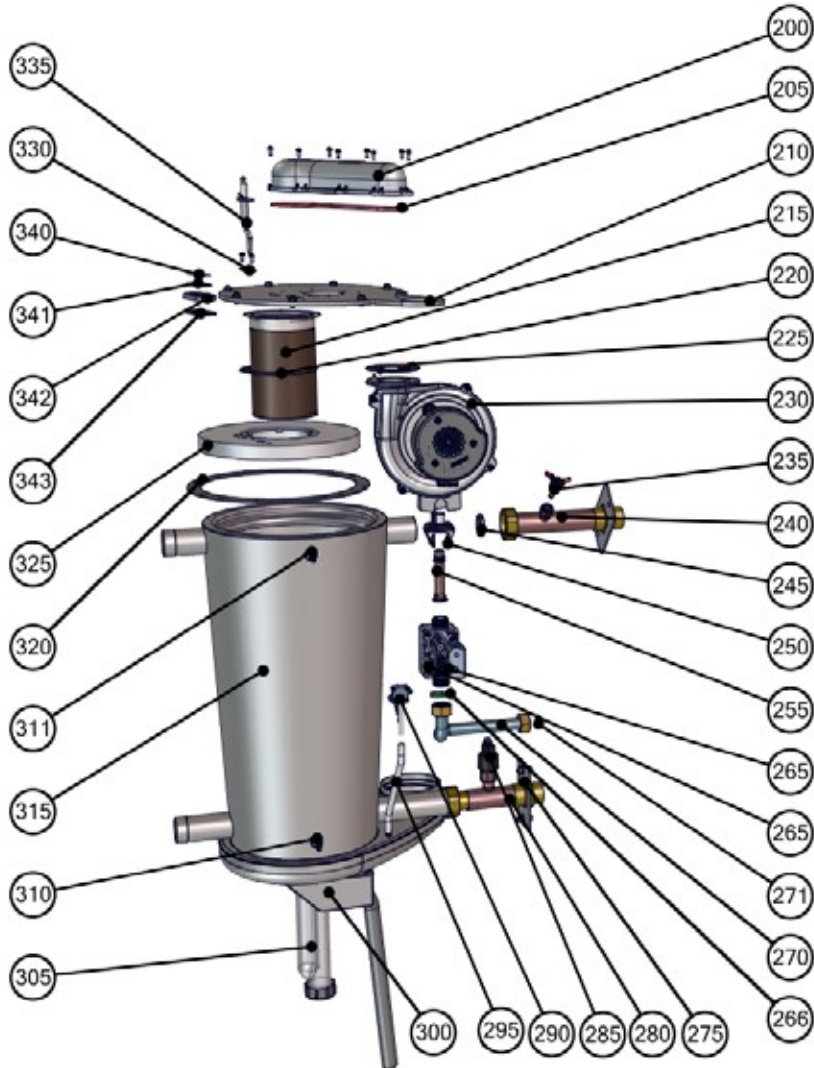


Diagram 6.1-3: Boiler assembly parts



BOM ID	IBC-No.	Description	Qty
200	250-749	FAN COUPLER	1
205	150-254	FAN COUPLER O-RING	1
210	170-043	HEAT EXCHANGER LID	1
215	180-056	BURNER	1
220	255-034	BURNER GASKET	1
225	250-627	FAN GASKET	1
230	240-114	FAN	1
235	240-010	LOW WATER CUTOFF PROBE	1
240	250-833	SUPPLY WATER PIPE	1
245	255-024	WATER PIPE GASKET	1
250	240-142	VENTURI INSERT	1
255	250-792	GAS TUBE	1
265	180-165	GAS VALVE	1
266	150-271	GAS LINE GASKET	1
270	190-159	GAS LINE	1
271	150-271	GAS LINE GASKET	1
275	250-845	WATER PIPE BRACKET	1
280	250-834	RETURN WATER PIPE	1
285	240-006	WATER PRESSURE SENSOR	1
290	240-138	PRESSURE SWITCH	1
295	190-165	PRESSURE SENSOR TUBE	1
300	250-875, 250-874	CONDENSATE TRAP	1
305	180-099	CONDENSATE TRAP RETAINER	1
310	240-134	RETURN TEMPERATURE SENSOR	1
311	240-133	SUPPLY TEMP. SENSOR	1
315	170-035	HEAT EXCHANGER	1
320	255-026	HEAT EXCHANGER LID GASKET	1
325	250-761	REFRACTORY	1
330	250-050	IGNITOR GASKET	1
335	240-002	IGNITOR	1
340	250-059	SIGHT GLASS	1
341	255-025	SIGHT GLASS UPPER GASKET	1
342	250-057	SIGHT GLASS FRAME	1
343	255-023	SIGHT GLASS LOWER GASKET	1