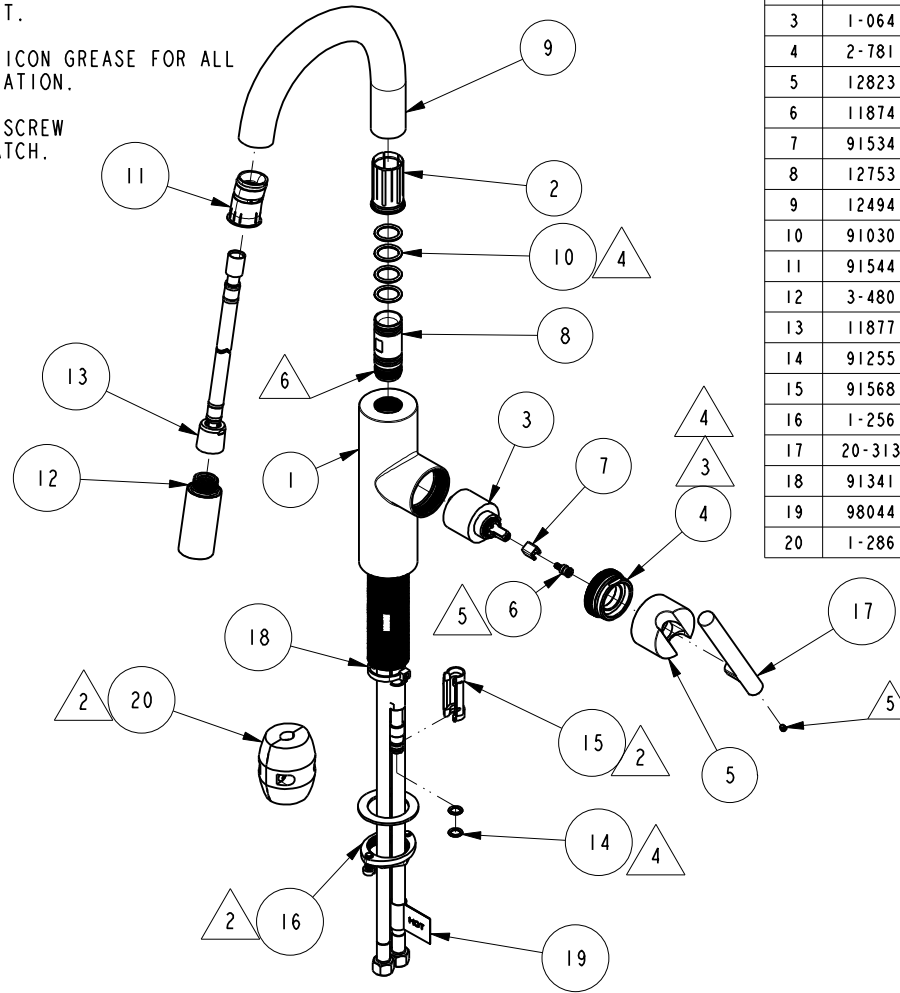


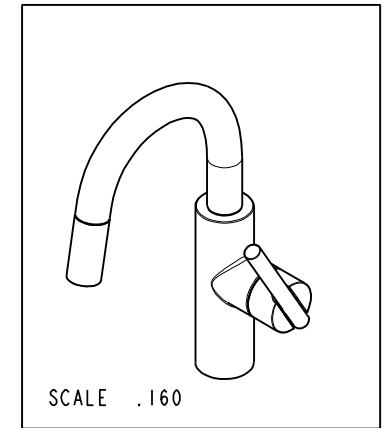
NOTES:

- (NI) 1. FIT / FORM / FUNCTION SHALL FOLLOW PS-E.008.
- 2. PUT THESE ITEMS IN SEPARATE PLASTIC BAGS.
- 3. TORQUE TO 7.5-8.5 LB-FT.
- 4. APPLY THIN COAT OF SILICON GREASE FOR ALL O-RINGS BEFORE INSTALLATION.
- 5. APPLY LOCTITE 242, IF SCREW DOES NOT HAVE NYLON PATCH.
- 6. APPLY LOCTITE 680.



BILL OF MATERIAL (CURRENT LEVEL)

ITEM	PT/ASSY	DESCRIPTION	TYPE	QTY.
1	2-782	MAIN BODY ASM, EAST LINEAR	ASSEMBLY	1
2	91712	SLEEVE	PART	1
3	1-064	SINGLE LEVER CARTRIDGE	PART	1
4	2-781	CART. RETAINER ASM	ASSEMBLY	1
5	12823	HANDLE HUB	PART	1
6	11874	HANDLE ADAPTER SCREW	PART	1
7	91534	CARTRIDGE STEM INSERT	PART	1
8	12753	SPOUT ADAPTER	PART	1
9	12494	SPOUT	PART	1
10	91030	O-RING, #2- 115, EPDM, 65-75 DURO, NSF 61	PART	4
11	91544	MAGNET DOCKING	ASSEMBLY	1
12	3-480	SPRAY HEAD, EAST LINEAR	ASSEMBLY	1
13	11877	HOSE, PULLDOWN SWIVEL	ASSEMBLY	1
14	91255	O-RING, #2- 011, EPDM, 65-75 DURO, NSF-61	PART	2
15	91568	RETAINER CLIP	PART	1
16	1-256	MOUNTING KIT	ASSEMBLY	1
17	20-313	HANDLE LEVER ASM	ASSEMBLY	1
18	91341	ZIP TIE	PART	1
19	98044	LABEL - HOT	PART	1
20	1-286	WEIGHT ASM	ASSEMBLY	1



ZONE	REV	DESCRIPTION	DATE	APPROVED
-	E	EN-3413j	06/19/18	J.A.
-	D	EN-3413c	01/10/18	JM
-	C	EN-3034L	09/11/17	J.A.
-	B	EN-3034F	04/20/17	J.A.
-	A	EN-3034	04/13/17	J.A.
-	-	EN-2682	03/17/14	-

COPYRIGHT 2005 BRASSTECH, INC. THESE DRAWINGS AND THE DESIGNS DEPICTED HEREIN ARE THE PROPRIETARY PROPERTY OF BRASSTECH. ANY USE OR REPRODUCTION IS SUBJECT TO THE EXPRESS APPROVAL OF BRASSTECH. UNAUTHORIZED USE IS STRICTLY PROHIBITED. ALL RIGHTS RESERVED.

TESTING	ASSEMBLY	PLATING	POLISHING	MACHINING	APPLICATION
-	-	-	-	-	REMOVE ALL BURRS AND SHARP EDGES

UNITS ARE: INCHES [MM]  
 TOLERANCES ARE:  
 FRACTIONS DECIMALS ANGLES  
 $\pm 1/16"$  .X  $\pm .1$  [2.5]  $\pm 1^\circ$   
 .XX  $\pm .06$  [1.5]  
 (X.XXX) DENOTES CRITICAL DIMS.  
 ALL THREADS ARE CRITICAL  
 DRAWN JINSON 06/19/18  
 CHECKED J.A. 06/19/18  
 APPROVED J.A. 06/19/18

**BRASSTECH** 2001 CARNEGIE AVE. SANTA ANA, CA 92705 (949) 417-5207  
 INCORPORATED  
**EAST LINEAR PULL DOWN - BAR/PERP FAUCET**  
 DWG NO. 1500-5223 REV E  
 SCALE .160 REF. SHEET 1 OF 2

