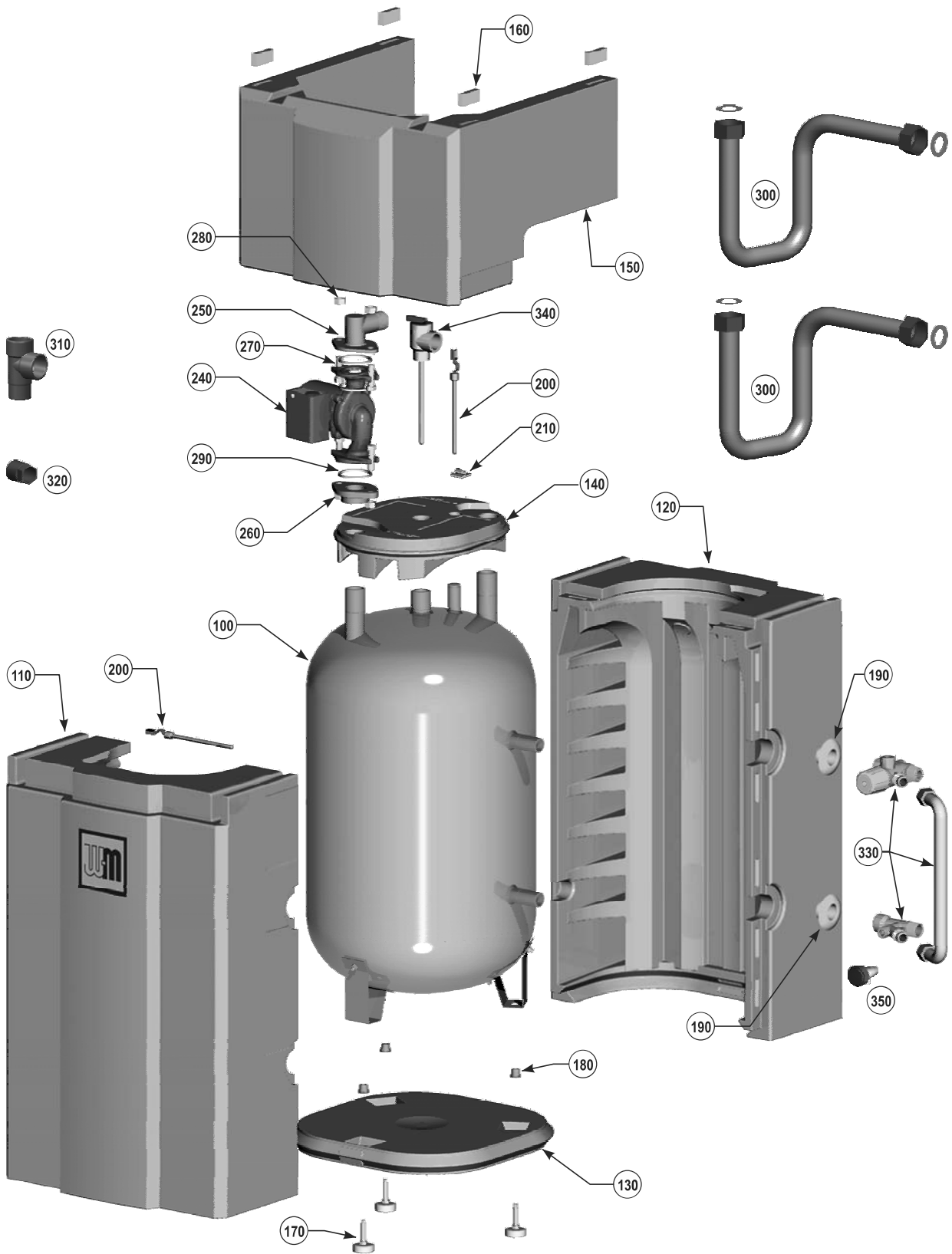


# AquaLogic WM97+ Companion Water Heater



## AquaLogic WM97+ Companion Water Heater Replacement Parts

Fig No.	Part No.	Description
100	635-900-059	Tank
110	383-700-211	Jacket Front
120	634-200-215	Jacket Back
130	634-200-216	Jacket Bottom
140	383-700-212	Jacket Top
150	634-200-218	Jacket Pipe Access Cover
160	563-039-981	Jacket Retainer Magnets - (4 Required)
170	590-424-256	Leveling Legs - (3 Required)
180	561-928-450	Riveted Nuts
190	562-248-756	Grommet, 1.22" O.D. - (2 Required)
	383-700-210	Temperature Sensor - (2 Required)
200	383-700-213	Sensor Well - Top Sensor
	383-700-214	Sensor Well - Bottom Sensor
210	562-650-119	Temperature Sensor Clip - (Holds Down Sensor By Securing Sensor Wires)
N/S	591-391-998	Wire Harness, Top and Lower Temperature Sensors
N/S	591-391-999	Wire Harness, Circulator
240	511-405-145	Circulator, Taco 3-Speed With Integral Flow/Check Valve. <b>(Do Not Substitute)</b>
250	560-907-735	Circulator Flange With 90-Degree Elbow
260	563-910-026	Circulator Flange, 1" N.P.T
270	562-136-260	Circulator Flange Bolts
280	561-928-235	Circulator Flange Nuts
290	590-317-543	Circulator Flange Gasket
300	560-907-700	Flexible Boiler Water Connector, 1" N.P.T Both Ends - (Includes Rubber Grommet on Each End) 2 Required
310	561-550-096	Tee, 1" FNPT X 1" FNPT X 1" MNPT
320	Local	Bushing, 1" X ¾" N.P.T
330	383-700-209	Mixing Valve Kit, Honeywell AMX302TLF - (Includes Mixing Valve, Inlet Water Fitting, and Flexible Cold Water Connector Pipe)
340	633-500-038	T&P Relief Valve, ¾" N.P.T, 150 PSI, 105MBH
350	511-246-402	Drain Valve, ¼" N.P.T