

Central Brass

COMPANY

Brecksville, Ohio 44141

Phone: (216) 883-0220 Fax: (440) 526-5745

www.CentralBrass.com

MODEL NOS.
0048-UA 80048-UA
SINK FIXTURE

O-Ring Compression 1/4-Turn Compression Ceramic Units
0048-UA **0048-UA-Q** **80048-UA**

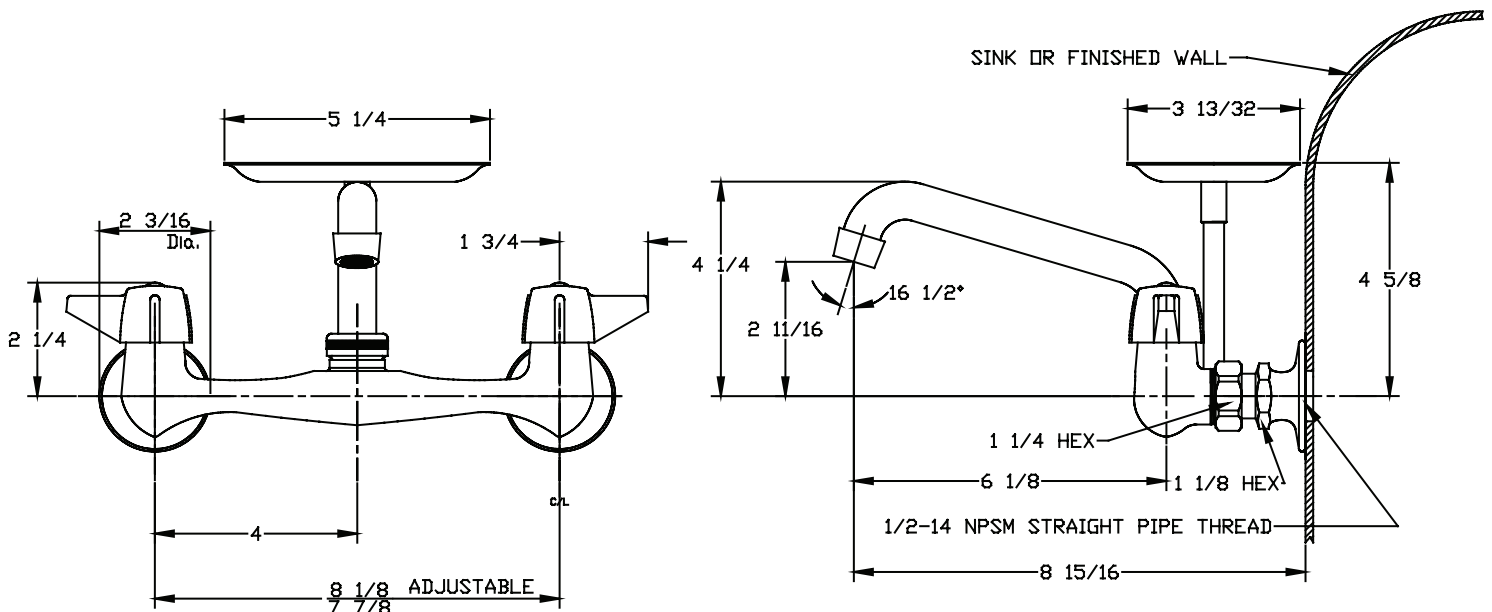
The wall mounted sink fitting is designed with a solid cast brass body with replaceable seats. The flanges are all brass and have 1/2-inch female pipe connections. The inlet supply location is adjustable by rotating the flange to obtain a 1/4-inch center variation. The 6-inch spout has a water saving aerator that limits the flow. The stems are all brass, with a double O-Ring seal and rubber seat washer (for compression stems) or ceramic sealing discs (for ceramic units). The canopy handles are zinc die cast with a chrome plated finish. The faucet and flanges are polished and copper, nickel, and chrome plated. The soap dish and post are brass with a chrome plated finish.



Flow Rate: 2.0 GPM @ 60 psi
ADA Compliant and Meets ASME A112.18.1M
Certified by IAPMO R&T to NSF/ANSI 61



Installation Drawing



Central Brass

COMPANY

Brecksville, Ohio 44141

Phone: (216) 883-0220 Fax: (440) 526-5745

www.CentralBrass.com

MODEL NOS.
0048-UA 80048-UA
SINK FIXTURE

Suffix Options
 & Accessories

Handle variations available

ELS - Suffix
 Wrist 4-inch
 EL - Suffix
 Elbow 6-inch



G-4147 (4-inch)
 G-4149 (6-inch)

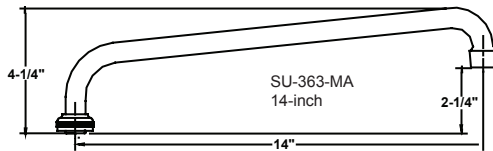


Faucets with lever, wrist or elbow handles with compression or ceramic stem cartridges are ADA compliant.

Spout variations available

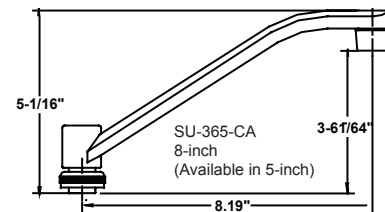
- A1 - Suffix
8-inch Brass Tube Spout
- A2 - Suffix
10-inch Brass Tube Spout
- A3 - Suffix
12-inch Brass Tube Spout
- A4 - Suffix
14-inch Brass Tube Spout

H - Suffix replaces A for hose end



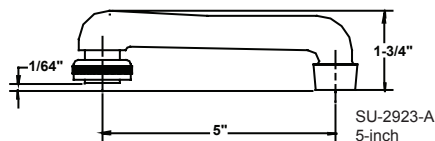
- A6 - Suffix
8-inch Brass D-Spout

H - Suffix replaces A for hose end



- A9 - Suffix
5-inch Cast Brass Spout

H - Suffix replaces A for hose end



Cast Brass Spout
 Extension
 Accessory

