

Features

- For baths 14" (356 mm) to 21" (533 mm) deep from the center of the bath overflow outlet to the center of the bath drain outlet.
- 30" (762 mm) length external cable.
- Includes a tee, drain ell, and overflow ell with attached 1-1/2 OD Pipe
- Flexible overflow joint conforms to various bath angles.
- No internal linkages to minimize the potential for clogging.
- For use with any PureFlo rotary or push hand controls and pop-up drain stopper kit (sold separately).

Material

- Metal construction control handle and stopper.

Installation

- Flexible overflow neck for easy installation to fit various bath angles.
- Above- or through-the-floor installation offers installation flexibility.

Required Accessories

K- T37391 Bath Cable Drain Trim

or

K- T37392 Bath Cable Drain Trim

or

K- T37393 Bath Cable Drain Trim

or

K- T37394 Bath Cable Drain Trim

or

K- T37395 Bath Cable Drain Trim

or

K- T37396 Bath Cable Drain Trim

or

K- T37397 Cable Bath Drain Trim

Installed component/s: PVC tubing.

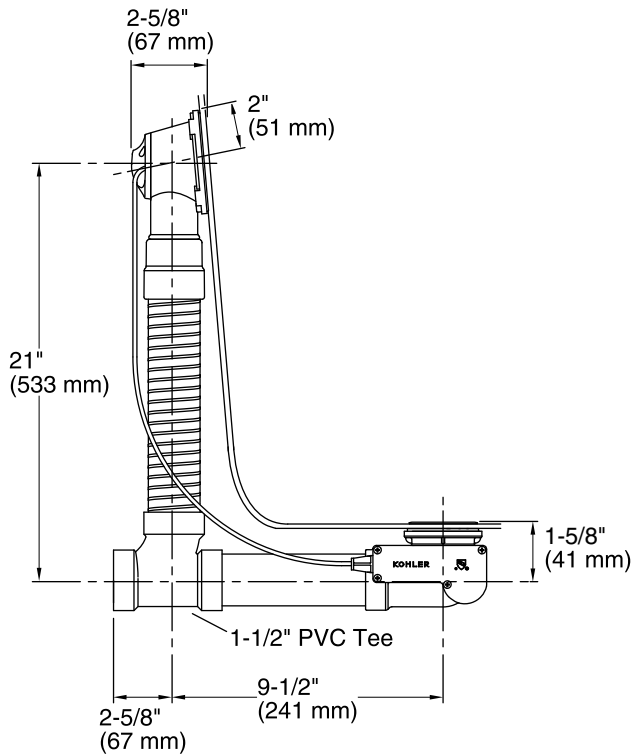


Codes/Standards

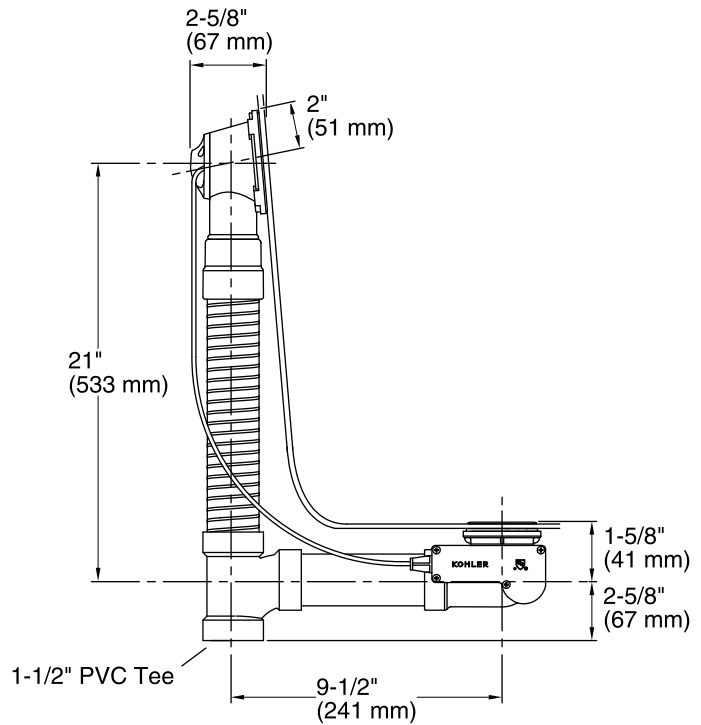
ASME A112.18.2/CSA B125.2

KOHLER® Faucet Lifetime Limited Warranty

See website for detailed warranty information.



Above-the-Floor



Through-the-Floor

Technical Information

All product dimensions are nominal.

Notes

Install this product according to the installation guide.

The combined length of the vertical tubing (supplied) and horizontal tubing (not supplied) after being cut for the bath installation must be equal to or less than 25" (635 mm) for 30" (762 mm) cable bath drain.