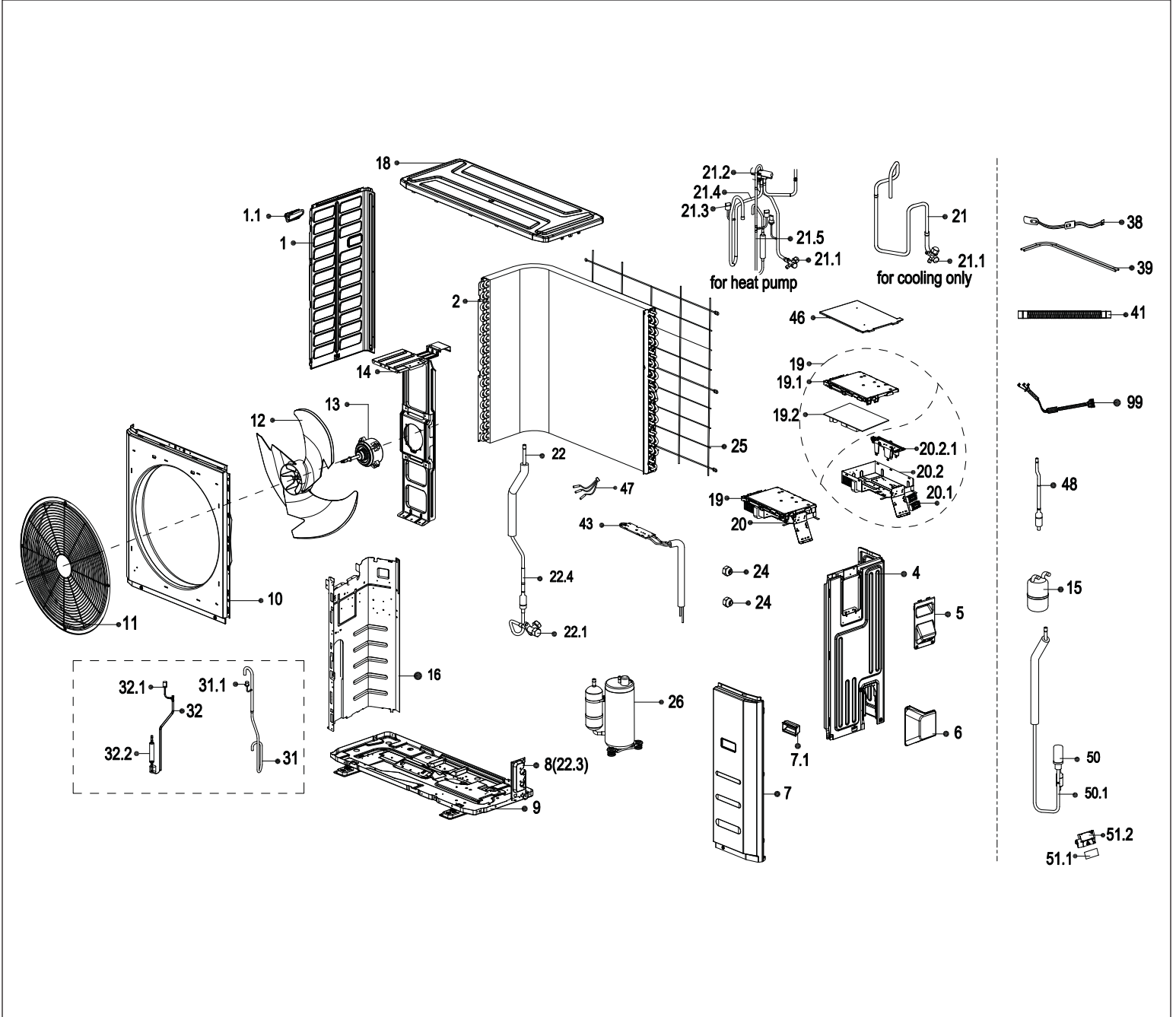


Bosch Climate 5000 Series Single Zone Outdoor Unit

BMS500-AAS036-1CSXRC | BMS500-AAS036-1CSXLC



Pos.	Description	Qty	BMS500-AAS036-1CSXRC	BMS500-AAS036-1CSXLC	Recommended Stock	Remarks
1	Left side plate assembly of cabinet	1.0	7738005666	7738005666		
1.1	Small handle	1.0	7738005667	7738005667		
2	Condenser assembly	1.0	8733953836	8733956492	✓	
4	Rear right clapboard assembly	1.0	7738005670	7738005670		
5	Big handle assembly	1.0	8733953825	8733956497		
6	Water collector	1.0	7738005672	7738005672		
7	Front right clapboard assembly	1.0	7738005673	7738005673		
7.1	handle	1.0	7738005674	7738005674		
9	Chassis assembly	1.0	7738005675	7738005675		
10	Front panel	1.0	7738005676	7738005676		
11	Air outlet grille	1.0	8733956372	8733956372		
12	Axial flow fan	1.0	7738005678	7738005678	✓	
13	Brushless DC Motor	1.0	7738005679	7738005679	✓	
14	Supporter subassembly of fan motor	1.0	7738005680	7738005680		
15	Accumulator cylinder	1.0	8733945616	8733953916		
16	Partition board assembly	1.0	8733956384	8733956384		
18	Top cover assembly	1.0	7738005682	7738005682		
19	Electronic control box subassembly	1.0	8733956400	8733956498	✓	
19.1	Cover of electronic control box	1.0	8733956386	8733956386		
19.2	Outdoor main control board subassembly	1.0	8733956401	8733956499	✓	
20	Terminal board subassembly	1.0	8733956388	8733956500	✓	
20.1	Terminal	1.0	8733956389	8733953575	✓	
20.2	Electronic installing box subassembly	1.0	8733956390	8733956390		
20.2.1	U-Typed Support with Copper Pipe	1.0	8733956391	8733956391		
21	4-way valve assembly	1.0	8733953839	8733953922	✓	
21.1	Gas valve	1.0	7738005691	7738005691		
21.2	4-way valve	1.0	7738005692	8733945611	✓	
21.4	Suction pipe	1.0	8733953840	8733953923		
21.5	Discharge pipe	1.0	8733953841	8733953924		
22	Liquid valve assembly	1.0	8733956392	8733956501	✓	
22.1	Liquid valve	1.0	8733953940	8733953940		
22.3	Valve plate	1.0	7738005695	7738005695		
22.4	Throttle valve	1.0	8733956393	8733956502	✓	
24	Copper nut	1.0	8733953585	8733953586		
24	Copper nut	1.0	8733953586	8733953585		
25	Rear net	1.0	7738005696	7738005696		
26	DC Inverter Rotary Compressor	1.0	8733956394	8733956503	✓	
31	Suction pipe assembly	1.0	8733953844	8733953929		
31.1	Pressure switch	1.0	8733955613	8733955613	✓	
32	Discharge pipe assembly	1.0	8733953845	8733956504		
32.1	Pressure switch	1.0	8733955614	8733956505	✓	
32.2	Muffler	1.0	8733945613	N/A	✓	
38	Crankcase electric heater	1.0	8733956381	8733956381		
39	Electric heating tube	1.0	8733956380	8733956380		
41	Drain pipe	1.0	8733947976	8733947976	✓	
43	Radiator subassembly	1.0	8733956395	8733956506		
46	Cover of electronic control box	1.0	8733956396	8733956396		
47	Combination sensor	1.0	8733956397	8733956397	✓	
50	Electronic expansion valve subassembly	1.0	8733956402	8733956398	✓	
50.1	Electronic expansion valve body	1.0	8733953843	7738005694		
51	Key board box subassembly	1.0	N/A	8733956507	✓	
51.1	Key board subassembly	1.0	N/A	8733956508	✓	
51.2	DR Installing Foundation	1.0	N/A	8733956509		
99	Compressor wire subassembly	1.0	8733956399	7738005661		

BMS500-AAS036-1CSXRC | BMS500-AAS036-1CSXLC