

Features

- Two-piece design
- 1.28 gpf (4.8 lpf)
- Left-hand Polished Chrome trip lever
- Combines with K-28121 bowl to create a complete K-28161 toilet
- AquaPiston® canister optimizes the flow out of the tank, harnessing gravity and the natural powerful reducing cascade of water to increase the power and effectiveness of the flush

Recommended Products/Accessories

K-28122-L Left-hand trip lever



Codes/Standards

ASME A112.19.2/CSA B45.1
IAPMO Certification


KOHLER® Toilets and Seats Limited Warranty

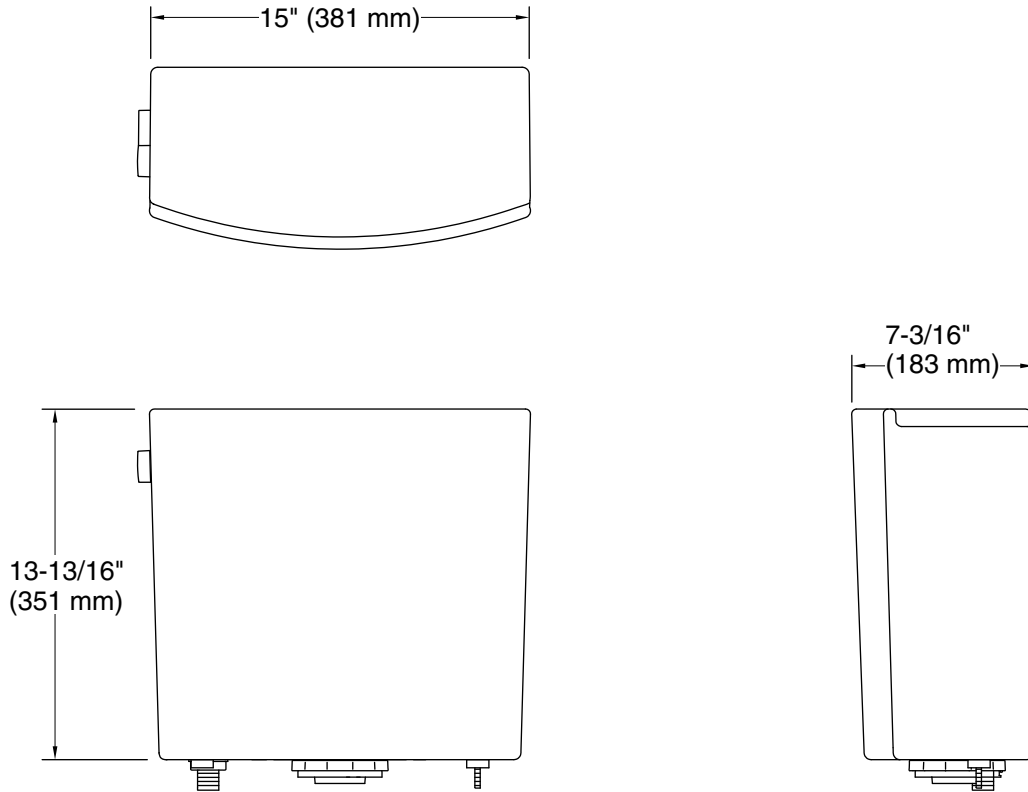
See website for detailed warranty information.

Available Colors/Finishes

Color tiles intended for reference only.

Color	Code	Description
-------	------	-------------

	0	White
---	---	-------



Technical Information

All product dimensions are nominal.

Toilet type: Bowl-mount

Flush type: AquaPiston

Fixture Supply Requirements

Min static pressure: 15 psi (103.4 kPa)

Max static pressure: 80 psi (551.6 kPa)

Notes

Install this product according to the installation instructions.