

Features

- High-arch spout offers more space to work in the sink
- Optional escutcheon included for 1- or 3-hole installation
- Premium material construction for durability and reliability
- KOHLER finishes resist corrosion and tarnishing, exceeding industry durability standards over two times
- KOHLER ceramic disc valves exceed industry longevity standards over two times for a lifetime of durable performance



For complete listing of available colors, go to kohler.com.



ADA **CSA B651** **OBC**

Codes/Standards

ASME A112.18.1/CSA B125.1
NSF 61/9-G
ADA
ICC/ANSI A117.1
DOE - Energy Policy Act 1992
EPA WaterSense®
CSA B651
OBC

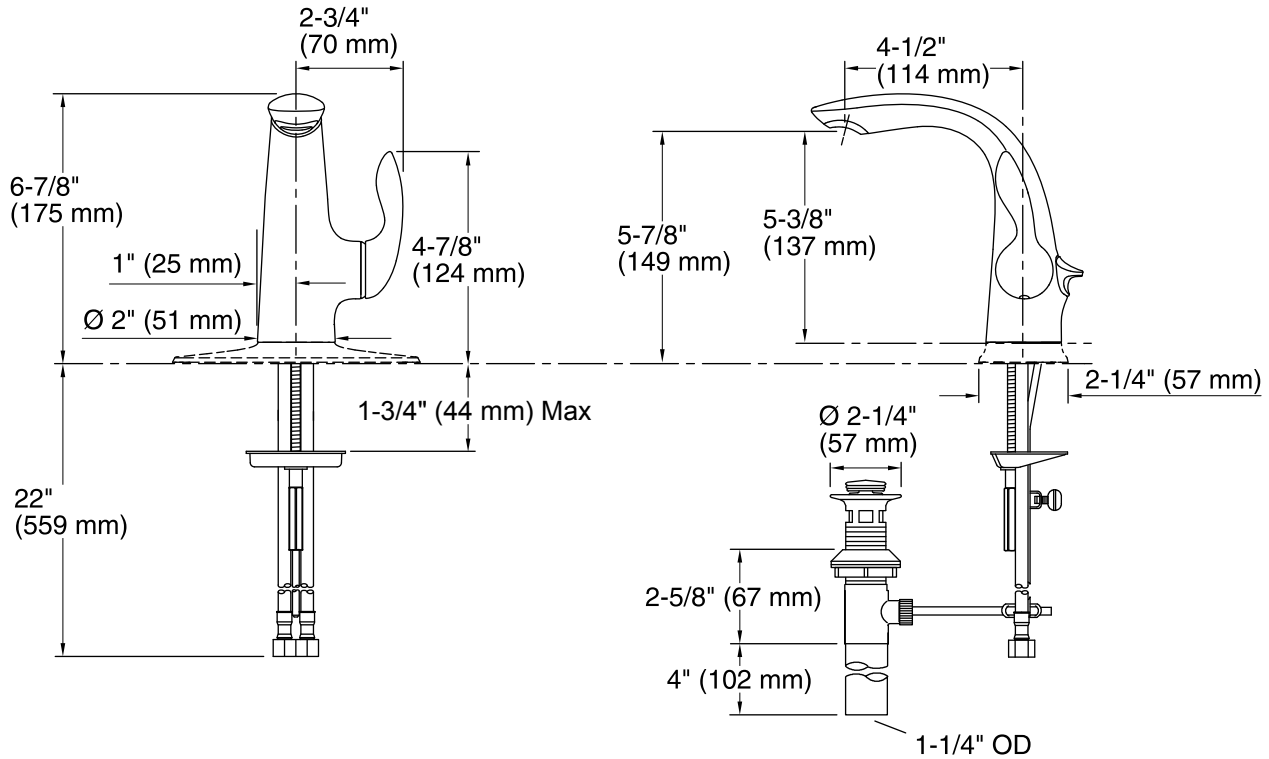
All applicable US Federal and State material regulations

KOHLER® Faucet Lifetime Limited Warranty

See website for detailed warranty information.

Product Specification

Bathroom sink faucet shall be 4-1/2" (114 mm) spout reach and 5-3/8" (137 mm) spout outlet height. Bathroom sink faucet shall be premium material construction. Bathroom sink faucet shall be lever handle. Bathroom sink faucet shall be optional 6-1/4" (159 mm) escutcheon for 3-hole sinks. Bathroom sink faucet shall be pop-up drain. Bathroom sink faucet shall be single-hole mounting



Pop-Up Drain

Technical Information

All measurements are nominal.

| | |
|---------------------------|-----------------|
| Valve body: | Machined Brass |
| Spout reach: | 4-1/2" (114 mm) |
| Drain included: | YES |
| Drain with overflow: | YES |
| Drain tailpiece included: | YES |

Faucet:

| | |
|------------|-------------------------|
| Flow rate: | 1.5 gal/min (5.7 l/min) |
| Pressure: | 60 psi (4.1 bar) |

Installation Notes

Install this product according to the installation guide.

If possible, install the faucet and drain to the bathroom sink before installing the sink.

ADA, OBC, CSA B651 compliant when installed to the specific requirements of these regulations.